

Vinotemp®

DESIGNER SERIES

A PROUD HERITAGE OF EXPERIENCE AND QUALITY



149 Bottle Seamless
Dual-Zone Wine Cooler
VT-DS26SB149

17621 South Susana Road
Rancho Dominguez, CA 90221
1.800.777.8466 | Fax 310.886.3310
WWW.VINOTEMP.COM



YOUR WINE CELLAR

This unit can be used for storage and/or service. The unit has a glass door and soft interior light that you can use to display your wine.

SERVING WINES

Storing wines at the proper temperature is important. To preserve them as long as possible, wine should be stored long term at approximately 55° Fahrenheit. The chart below suggests the optimal serving temperatures for different styles of wine.

°C	°F	Wine Style
19	66	Armagnac, Brandy, Cognac
18	64	Full Bodied Red Wines, Shiraz
17	62	Tawny Port
15	59	Medium Bodied Red Wines
14	57	Amontillado Sherry
13	55	Light Bodied Red Wines
12	54	Full Bodied White Wines
11	52	Medium Bodied White Wines
10	50	Rosé, Light Bodied White Wines
9	48	Vintage Sparkling
8	46	Fino Sherry
7	45	Non Vintage Sparkling

General Operating Instructions

Remove all external and internal packaging from your wine cooler. Be sure that all parts have been included before discarding any packaging materials. You may want to keep the box and packing materials for use at a later date.

Upon receipt and inspection of unit, the supply cord must be replaced if it is damaged. Contact our customer service at 1-800-777-8466 or info@vinotemp.com.

- Let the unit rest UNPLUGGED for 24 hours once you have it placed in your home.
- Please fully read the instruction manual.
- Save these instructions.

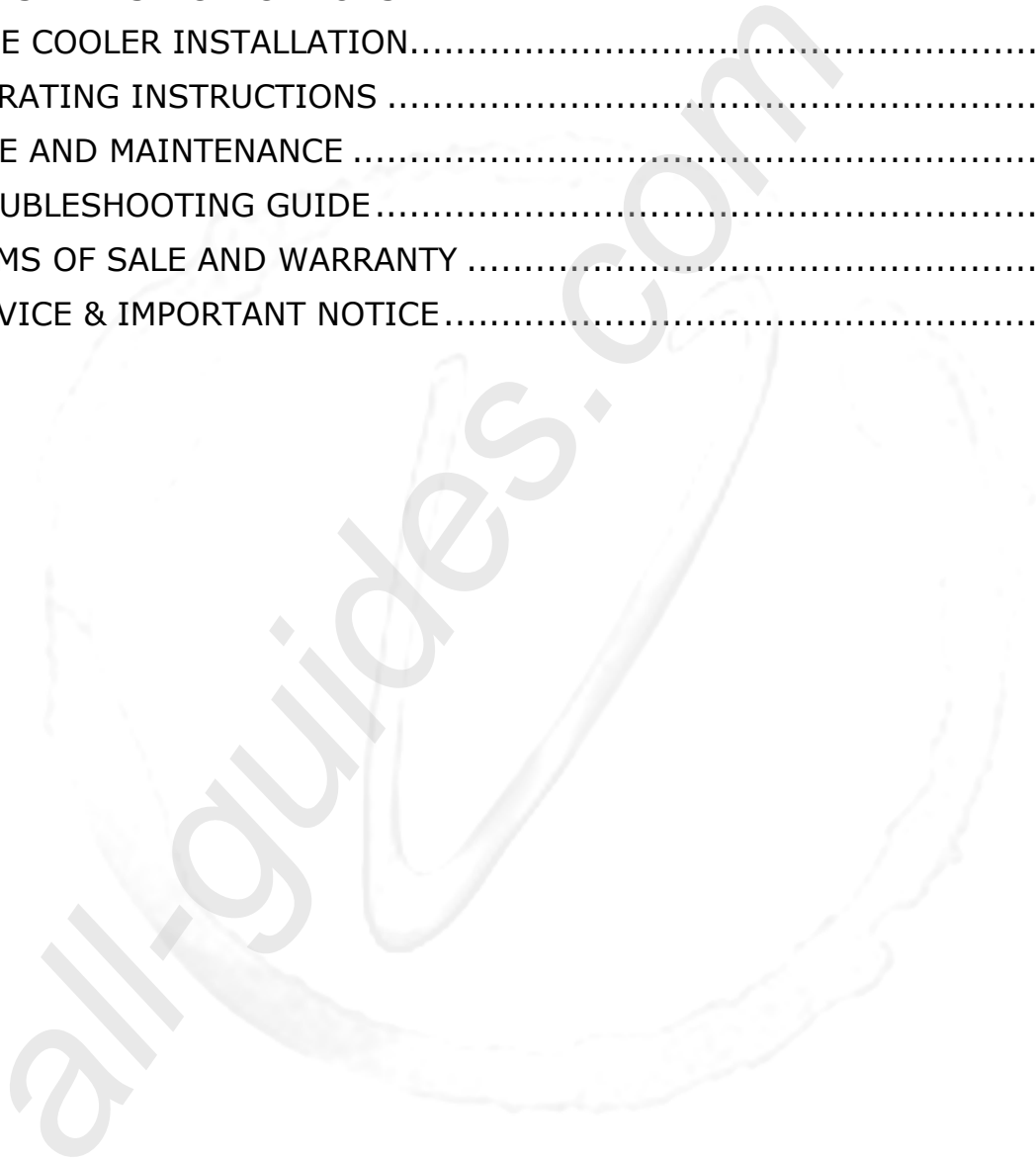
**Please read and follow all safety rules
and operating instructions before using.**

To register your product,
visit: <http://www.vinotemp.com/Warranty.aspx>
**Register your warranty within 10 days of receiving the unit.
Please be sure to retain your proof of purchase.**



TABLE OF CONTENTS

IMPORTANT SAFETY INSTRUCTIONS.....	7
CORD INSTRUCTIONS.....	7
PARTS AND SPECIFICATIONS	8
WINE COOLER INSTALLATION.....	9
OPERATING INSTRUCTIONS	9
CARE AND MAINTENANCE	12
TROUBLESHOOTING GUIDE	13
TERMS OF SALE AND WARRANTY	14
SERVICE & IMPORTANT NOTICE.....	15



IMPORTANT SAFETY INSTRUCTIONS

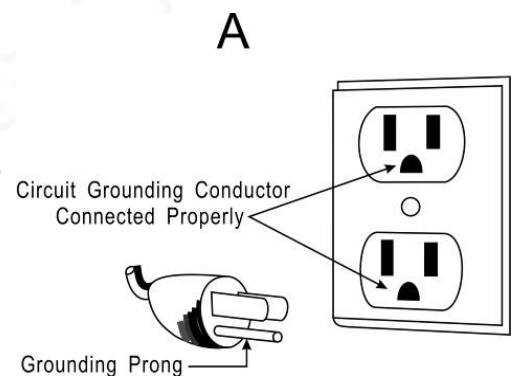
To reduce the risk of fire, electrical shock, or injury when using your appliance, follow these basic precautions:

- Read all instructions before using the wine cooler.
- This product is intended for household and commercial use.
- To protect against electric shock, do not immerse unit, plug or cord in water or other liquids.
- Do not place the appliance or any of its parts near an open flame or other heat generating appliances.
- Place the unit on a dry, level surface.
- Unit is not designed for use in a garage or basement
- Before you throw away your old wine cooler, remove the door and leave the shelves in place so that children may not easily climb inside.
- Never allow children to operate, play with, or crawl inside the appliance.
- Never clean the appliance with flammable fluids. The fumes can create a fire hazard or explosion.
- Do not store or use gasoline or any other flammable vapors and liquids in the vicinity of this or any other appliance. The fumes can create a fire hazard or explosion.
- Do not operate the cooler in the presence of explosive and/or flammable fumes.
- Locate the cooler away from direct sunlight and sources of heat (stove, heater, radiator, etc.). Direct sunlight will affect/alter the exterior color of the appliance.
- To prevent damaging the door gasket, make sure to have the door opened all the way when pulling the shelves out of the rail compartment.
- Install the wine cooler in an area where it is easy to access the cord and plug.
- Disconnect the cooler before moving to another location.
- Remove all bottles of wine inside the unit before moving the wine cooler.
- If the supply cord is damaged, it must be replaced by the manufacturer or a certified electrician.

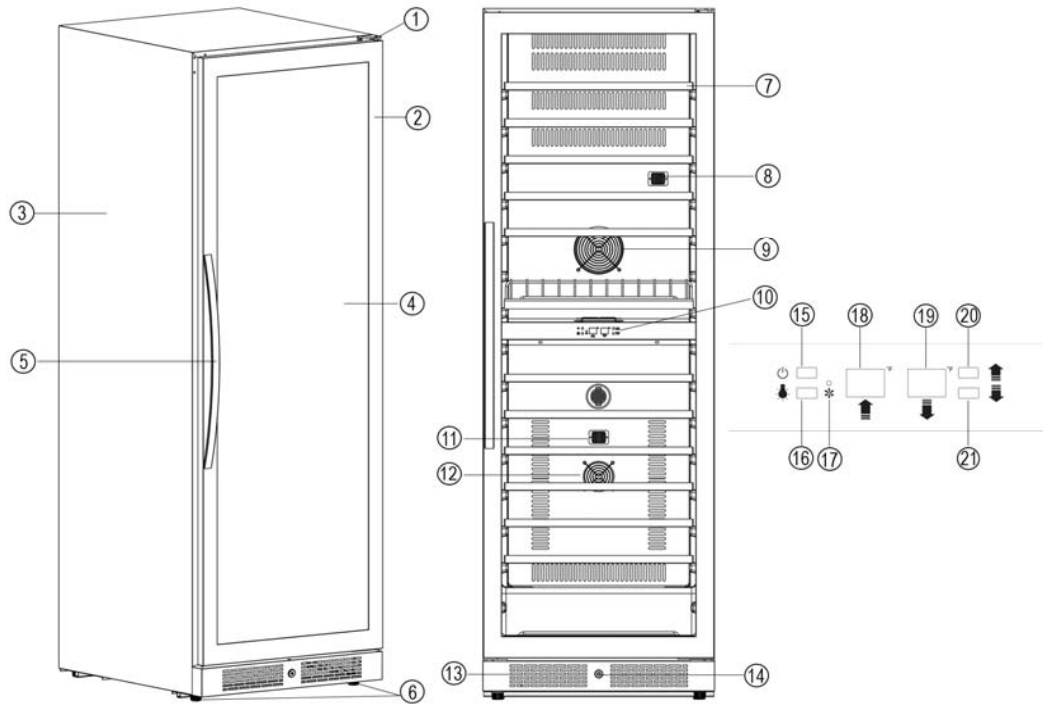
CORD INSTRUCTIONS

For your protection, this unit should be properly grounded. Unit is equipped with a 3-conductor cord set that has a molded 3-prong grounding-type plug, and should be used in combination with a properly connected grounding-type outlet as shown in figure A.

It is not recommended to use this wine cooler with an extension cord or power board. Please ensure that the appliance is plugged directly into the electrical outlet.



PARTS AND SPECIFICATIONS



- | | | |
|-----------------|---------------------|--|
| 1. Top Hinge | 9. Top Zone Fan | 17. Cooling Mode Indicator Light |
| 2. Door | 10. Control Panel | 18. Upper Zone Display |
| 3. Body | 11. Bottom Zone NTC | 19. Bottom Zone Display |
| 4. Glass | 12. Bottom Zone Fan | 20. Top Zone Temperature Adjustment |
| 5. Handle | 13. Grille | 21. Bottom Zone Temperature Adjustment |
| 6. Feet | 14. Lock | |
| 7. Shelf | 15. Power Button | |
| 8. Top Zone NTC | 16. Light Button | |

Product Number	VT-DS26SB149
Type	2 temp.
Bottle Capacity	Approx. 154 without display shelf Approx. 149 with display shelf
Capacity	416L (14.69 Cu. Ft.)
Voltage	115V
Frequency	60Hz
Input power	200W
Temperature control range	Top Zone: 40°F - 54°F Bottom Zone: 54°F - 65°F
Ambient temperature range	41°F - 95°F
Net weight	255.73 lbs
Gross weight	282.19 lbs
Product dimensions (WxDxH)	23.42" x 26.77" x 69.45"
Package dimensions (WxDxH)	25.59" x 29.53" x 76.77"

*Note: This wine cooler is designed to store standard Bordeaux 750 ml bottles. Storing large and/or oddly shaped bottles (including champagne and sparkling wine bottles) will decrease the capacity of your wine cooler.

WINE COOLER INSTALLATION

Before Using Your Wine Cooler

- Remove the exterior and interior packing.
- Before connecting the wine cooler to the power source, let it stand upright for approximately 24 hours. This will reduce the possibility of a malfunction in the cooling system from handling during transportation.
- Clean the interior surface with lukewarm water, using a soft cloth.

Installation of Your Wine Cooler

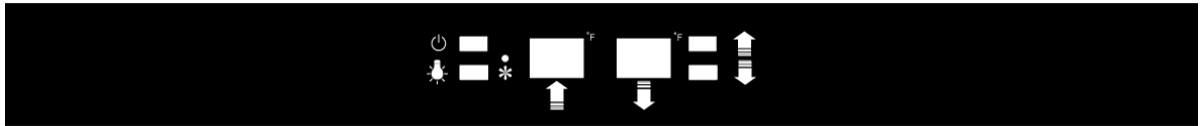
- Place your wine cooler on a surface that is strong enough to support it when it is fully loaded. To level your wine cooler, adjust the front leveling leg at the bottom of the wine cooler.
- Locate the wine cooler away from direct sunlight and sources of heat (stove, heater, radiator, etc.). Direct sunlight may affect the acrylic coating and heat sources may increase electrical consumption. Extreme cold ambient temperatures may also cause the unit to not perform properly.
- Avoid locating the unit in areas with high humidity.
- Plug the wine cooler into an exclusive, properly installed-grounded wall outlet. Do not under any circumstances cut or remove the third (ground) prong from the power cord.
- Any questions concerning power and/or grounding should be directed toward a certified electrician.

OPERATING INSTRUCTIONS

The wine cooler should be placed in an area where the ambient temperature is between 41°-95° Fahrenheit. If the ambient temperature is above or below this range, it may affect the cooler's ability to maintain its set temperature. For example, placing your unit in extreme cold or hot conditions may cause the interior temperature to fluctuate, which can make it difficult for the unit to achieve an interior temperature within the 40°-54° F range for the top zone, and 54°-65° F range for the bottom zone.

The above temperatures may fluctuate depending on whether or not the interior light is ON or OFF, or whether the bottles are located on the upper/middle or lower section.

The controls of your wine Cooler



- * Cooling Mode Indicator Light
Indicator light illuminates to signify the cooling mode is currently in operation.
- Light
Turns the interior light on/off.
- Power
Turns the wine cooler on/off.
- ↑ "Top Zone Temperature Adjustment"
Press the button to the left of the arrow to set the temperature for the top zone.
- ↓ "Bottom Zone Temperature Adjustment" Button
Press the button to the left of the arrow to set the temperature for the bottom zone.
- "Top Zone Display"
Displays the temperature for the top zone.
- "Bottom Zone Display"
Displays the temperature for the bottom zone.

Setting the Temperature Control

Each zone of the wine cooler (top & bottom) is independently controlled. To set the temperature:

- Connect the power cord to a properly grounded outlet.
- In the event of a power interruption, all previous temperature settings are automatically erased and each compartment will default to a preset temperature setting of 43°F for the top zone and 54°F for the bottom zone.
- Set the desired temperature by pressing the "Top Zone Temperature Adjustment" arrow and "Bottom Zone Temperature Adjustment" arrow. By pressing either temperature adjustment button, you can increase or decrease the temperature in the corresponding temperature zone by 1°F. The selected temperature will flash in the temperature display screen for approximately 5 seconds; it will then display the current internal temperature of the cooler.
- Top Zone: The temperature setting can be adjusted from 40°F to 54°F.
- Bottom Zone: The temperature setting can be adjusted from 54°F to 65°F.

Shelves

- This appliance is equipped with a pull-out roller assembly (except for the bottom shelf) and you can move the shelves in and out smoothly.
- To prevent damaging the door gasket, make sure to have the door opened all the way when pulling the shelves out of the rail compartment. For easy access to the bottles, you must pull the shelves approximately 1/3 out of the rail compartment.
- To remove the shelves from the rail, pull each shelf approximately 1/3 of the way out. Use a long flathead screwdriver to press down on the left plastic notch (as shown in Figure A) and at the same time lift the right plastic notch as shown in Figure B. Then proceed to slowly pull out the shelf.

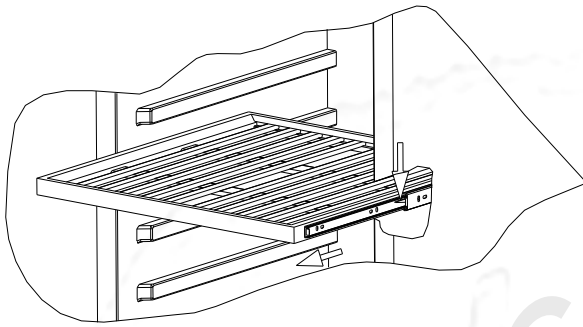


Figure A

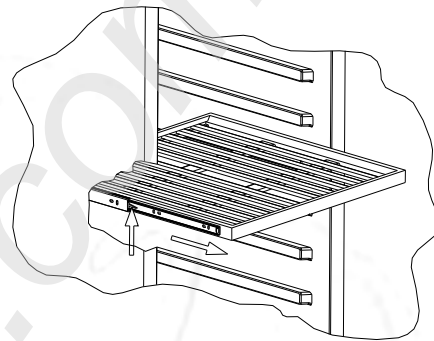


Figure B

Display Shelf

- This wine cooler also includes an optional display shelf. To utilize the display function, pull the shelf approximately 1/3 of the way out of the rail compartment as shown in Figure C.
- Lift the shelf straight up and out of the rail compartment as shown in Figure D. Remove the shelf from the cooler.
- To replace the display shelf, repeat these steps in reverse.

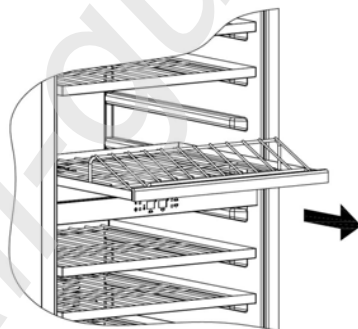


Figure C

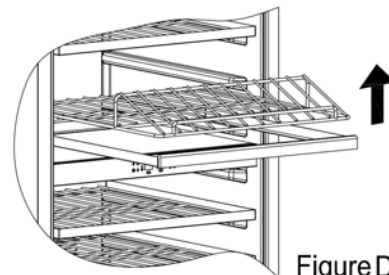


Figure D

Note

- If the unit is unplugged, a power outage occurs, or the unit is turned off, you must wait 3 to 5 minutes before restarting the unit. If you attempt to restart before this time delay, the wine cooler will not start.
- When you use the wine cooler for the first time or restart the wine cooler after having been shut off for a long time, there could be a few degrees variance between the temperature you select and the one indicated on the temperature display. This is normal and it is due to the length of the activation time. Once the wine cooler runs for a few hours, everything will be back to normal.

Door Lock

- Your unit includes a lock and key combination.
- The keys are located inside the plastic bag that contains the Owner's Manual. Insert the key into the lock and turn it counterclockwise to unlock the door. To lock the door, turn the key clockwise making sure metal pin is engaged completely. Remove the key and place it in a secure place for safe keeping.

CARE AND MAINTENANCE

Cleaning Your Wine Cooler

- Turn off the power, unplug the appliance, and remove all items including shelves and rack.
- Wash the interior surfaces with a warm water and baking soda solution. The solution should be made using 2 tablespoons of baking soda and 1 quart of water.
- Remove the shelves from the cooler and wash them with a mild detergent solution.
- Wring excess water out of the sponge or cloth when cleaning the control panel and any other electrical parts.
- Wash the exterior of the cooler with warm water and mild liquid detergent. Rinse well and wipe dry with a clean, soft cloth.

Power Failure

- Most power failures are corrected within a few hours and should not affect the temperature of your appliance if you minimize the number of times the door is opened. If the power is going to be off for a longer period of time, you need to take the proper steps to protect your contents.

Vacation Time

- Short vacations: Leave the wine cooler operating during vacations of less than three weeks.
- Long vacations: If the appliance will not be used for several months, remove all items and turn off the appliance. Clean and dry the interior thoroughly. To prevent odor and mold growth, leave the door open slightly (propping the door open, if necessary).

Moving Your Wine Cooler

- Remove all items.
- Securely tape down all loose items (including shelves) inside your appliance.
- Turn the adjustable leg up to the base to avoid damaging it.
- Tape the door shut.
- Be sure the appliance stays secure in an upright position during transportation. Also, protect outside of appliance with a blanket or similar item.

Energy Saving Tips

- The wine cooler should be located in the coolest area of the room, away from heat producing appliances, and out of the direct sunlight.
- Always dry all the parts with a clean, dry cloth before plugging the wine cellar back into the receptacle.

TROUBLESHOOTING GUIDE

You can solve many common cooler problems easily, saving you the cost of a service call. Try the suggestions below to see if you can solve the problem before contacting Vinotemp at info@vinotemp.com.

PROBLEM	POSSIBLE CAUSE
Wine cooler does not operate.	<ul style="list-style-type: none"> • The unit is not plugged in. • The appliance is turned off. • The circuit breaker has been tripped or a fuse is blown.
Wine cooler is not cold enough.	<ul style="list-style-type: none"> • Check the temperature control setting. • Due to the ambient temperature, the cooler may require a higher temperature setting. • The door is opened too often. • The door is not closed completely. • The door gasket does not seal properly.
Turns on and off frequently.	<ul style="list-style-type: none"> • The room temperature is hotter than normal. • A large amount of contents have been added to the wine cooler. • The door is opened too often. • The door is not closed completely. • The temperature control is not set correctly. • The door gasket does not seal properly.
The light does not work.	<ul style="list-style-type: none"> • The unit is not plugged in. • The circuit breaker has been tripped or a fuse is blown. • The bulb has burned out. • The light button is "OFF".
Vibrations.	<ul style="list-style-type: none"> • Check that the wine cooler is level.
The wine cooler seems to make too much noise.	<ul style="list-style-type: none"> • The rattling noise may come from the flow of the refrigerant, which is normal. • As each cycle ends, you may hear gurgling sounds caused by the flow of refrigerant in your wine cooler. • Contraction and expansion of the inside walls may cause popping and crackling noises. • The wine cooler is not level.
The door will not close properly.	<ul style="list-style-type: none"> • The wine cooler is not level. • The door was reversed and not properly installed. • The gasket is dirty. • The shelves are out of position.

TERMS OF SALE AND WARRANTY

Vinotemp International ("Seller") and the person or entity that acquires these goods from Seller ("Purchaser") hereby fully agree to the following terms and conditions of the sale: Shipping fees are the responsibility of the Purchaser whether freight prepaid or freight collect. Seller assumes no responsibility for the goods sold to the Purchaser once the goods have left the Seller's premises, including, but not limited to, late delivery by the moving carrier, or for events caused by any difficulty carrier incurs in attempting to fit the goods into the Purchaser's place of business or residence due to the size of the goods or otherwise. Purchaser assumes all responsibility for delivery, payment of freight, access, measurement, installation, hook-up, wiring, moving and storage of the goods. The transportation of all goods is subject to the terms and conditions which the moving carrier imposes on Purchaser including, but not limited to, additional charges imposed per flight of stairs, and/or additional charges resulting from the carrier's inability to safely and/or adequately use the building elevator to lift the goods to an upper floor. Any claim for damages incurred during shipment by the carrier of the goods are insured and handled directly with the carrier and must be noted at time of delivery. Any damages due to manufacture defects will be handled directly with Vinotemp International, subject to the limited warranty.

All sales are final, and unless authorized in writing by the Seller, Purchaser may not return the goods, under any circumstance. If Purchaser refuses to accept the goods, under any circumstance, the Purchaser is liable for the return and cost of freight both ways, and if Seller does take back the goods, there will be a restocking/service fee that is 35% of the purchase price of the goods. (Product must be in original packaging). Built-to-Order products (including Cabinets, Racking, and Accessories) are non-returnable. Purchaser must notify Seller of non-conforming goods within four days of delivery, after which time all goods are deemed accepted. If an order has been placed and production has started, cancellation of your order will be a 15% charge. If Purchaser tenders payment with a check that has insufficient funds (NSF), or stops payment on a check or credit card for any reason, Purchaser agrees to pay for all costs associated with the Seller's collection or litigation of such a claim, including without limitation extra damages, court costs and attorneys' fees. Finance charges begin the date of invoice. Collection fees plus NSF fee of \$50 will be added to your invoice, which you agree to promptly pay. Title to the goods does not pass until payment is received in full by Seller and Seller retains a security interest in the goods until they are paid for in full. Statute of limitations must be handled in arbitration in the County of Los Angeles.

LIMITED WARRANTY: Seller warrants that the goods will be free of defects in materials and workmanship as follows: Furniture style (wood) wine cabinets made in the U.S.: all cooling unit parts for a period of 5 (five) years; cabinetry and labor (uninstalled) for a period of 12 (twelve) months from date of sale. For the metal cabinet wine units: parts and labor for cooling system and cabinetry for a period of 12 (twelve) months from date of sale. Thermoelectric Units: 90 (ninety) days from the date of sale (including Wine Coolers, Beer Dispensers, Humidor, Portofino Wood Cellars, and Refrigerators). Wine-Mate Split Systems and installed products are parts only for 1 year, no labor. Other Wine-Mate Cooling Systems are 5 years parts, 1 year labor. Wine Accessories and Racking Systems are not warranted. There is no warranty on parts purchased separately. Removal and re-installation of unit is not included in warranted labor. Purchaser's exclusive remedy is limited, at Seller's option; to repair or replace defective part[s] with either new or factory reconditioned part[s]. Purchaser is responsible for shipping the unit pre-paid to designated facility and Seller will pay return shipping charges in the continental United States for items repaired under warranty within 12 (twelve) months from date of sale. Since the natural variation in texture, density, grain, color, tone and shade of wood is unavoidable; Seller does not guarantee the texture, color, tone or shade of the wood; nor does seller guarantee the colorfastness of wood or against peeling, chipping, cracking or scratching. Note: Unfinished wood is subject to warping; all wood surfaces must be sealed before placing cellar into service. Improper placement of the unit will void the warranty. By Vinotemp in writing, any third party repair facility must be pre-approved before providing parts free of charge. This limited warranty does not cover damage due to such things as accident, misuse, abuse, mishandling, neglect, acts of God, fires, earthquakes, floods, high winds, government, war, riot or labor trouble, strikes, lockouts, delay of carrier, unauthorized repair, or any other cause beyond the control of the Seller, whether similar or dissimilar to the foregoing. Seller is not responsible for any damages caused to Purchaser's property resulting from the good. This limited warranty applies only inside the Continental US. (Alaska, Puerto Rico and Hawaii are not warranted.)

For Non-New Units (Scratch & Dent/Refurbished/Floor Models), warranty for compressor units is 90 days from your dated invoice and 30 days for thermoelectric units (parts for function only, not cosmetic defects). These units are refurbished and sold as is; Purchaser assumes risks to the quality and performance of goods and assumes the costs of all necessary service or repair not covered herein.

For Element Grills (via Element Products LLC), grills have a 1 year comprehensive parts warranty on entire product. Three years limited parts warranty covering the stainless burner and a thirty day limited parts warranty on grill accessories. If grill is defective and unused plus all packaging and parts are intact, we will either replace the grill or provide service to repair the grill. Returned product must accompany all original packaging and parts and is subject to our 35% restocking fee (and freight both ways).

With Wine-Mate products, if the customer calls and the product is "defective", you must obtain a letter from your qualified refrigeration technician at the customer's cost, to verify that the unit was installed properly, with proper ventilation and the unit is truly malfunctioning due to manufacture defect.

Purchaser understands and acknowledges that the goods sold here are wine cellars, cigar humidors, and/or other similar units which house wine or cigars. Purchaser assumes all risk of using these units, including risk of spoilage, humidity variations, temperature variations, leaks, fire, water damage, mold, mildew, dryness and similar and any other perils that might occur.

Seller is not responsible for incidental or consequential damages, and there are no warranties, expressed or implied, which extend beyond the Limited Warranty described above. The implied warranties of merchantability and of fitness for a particular purpose are hereby expressly disclaimed. Some states do not allow the exclusion of incidental or consequential damages, or a waiver of the implied warranties of fitness and/or merchantability, so the above limitations may not apply to you. This warranty gives you specific legal rights and you may also have other rights which vary from state to state. Seller disclaims any indemnification for claims of infringement of any intellectual property of protectable nature. In the event of any dispute between Seller and Purchaser arising out of or relating to these terms and conditions or to the goods sold generally, Purchaser must first file a written claim with Seller within ten days of the occurrence giving rise to the claim and wait an additional thirty days for a response before initiating any legal action. The sale and all terms are subject to California law. Any legal proceeding arising out of or relating to these terms and conditions or to the goods sold generally shall be brought solely and exclusively in the County of Los Angeles. In no event may Purchaser initiate any legal proceeding more than six months after the occurrence of the event giving rise to the dispute.

The above terms and conditions are the only ones governing this transaction and Seller makes no oral representations of any kind. These Terms and Conditions can only be modified in writing, signed by both Purchaser and Seller. 05/12

SERVICE & IMPORTANT NOTICE

Upon receipt and inspection of unit, the supply cord must be replaced if it is damaged. Contact our customer service at 1-800-777-8466 or info@vinotemp.com.

The manufacturer has a policy of continuous improvement on its products and reserves the right to change materials and specifications without notice.

WARNING:

**Please do not place the unit within reach of children.
For adult use only.**

Contact info@vinotemp.com with any questions or visit:
www.vinotemp.com



17621 S. Susana Road
Rancho Dominguez, CA 90221
www.vinotemp.com

Vinotemp is a registered trademark of Vinotemp International. All products, features, and services are subject to change without notice. We cannot guarantee the accuracy of the contents of this document. We disclaim liability for errors, omissions, or future changes.

© 2012 Vinotemp International. All rights reserved.

