

SEARS

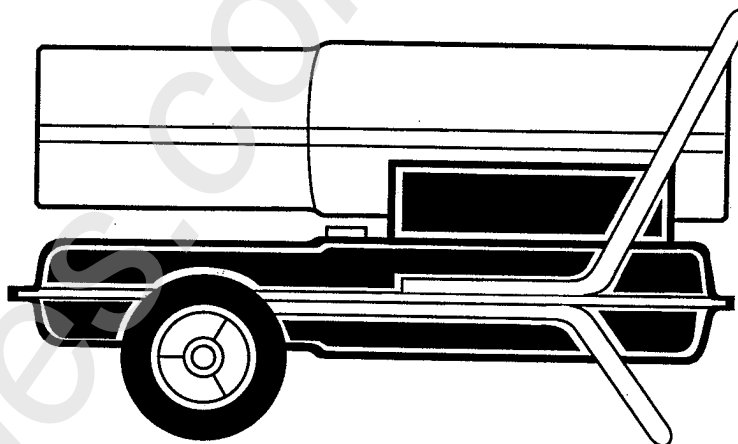
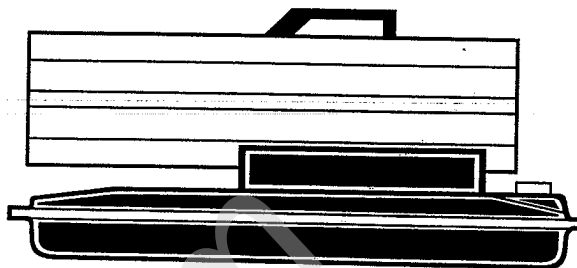
OWNER'S MANUAL

**MODEL
NUMBERS:
583.756700
583.756720
583.756730**

SERIAL NO. _____
(owner - write in No.)

**CAUTION:
Read Rules for
Safe Operation
and Instructions
Carefully**

**SAVE THIS MANUAL FOR
FUTURE REFERENCE**



**Heater Sizes:
40,000 60,000 and 115,000 Btu/Hr**

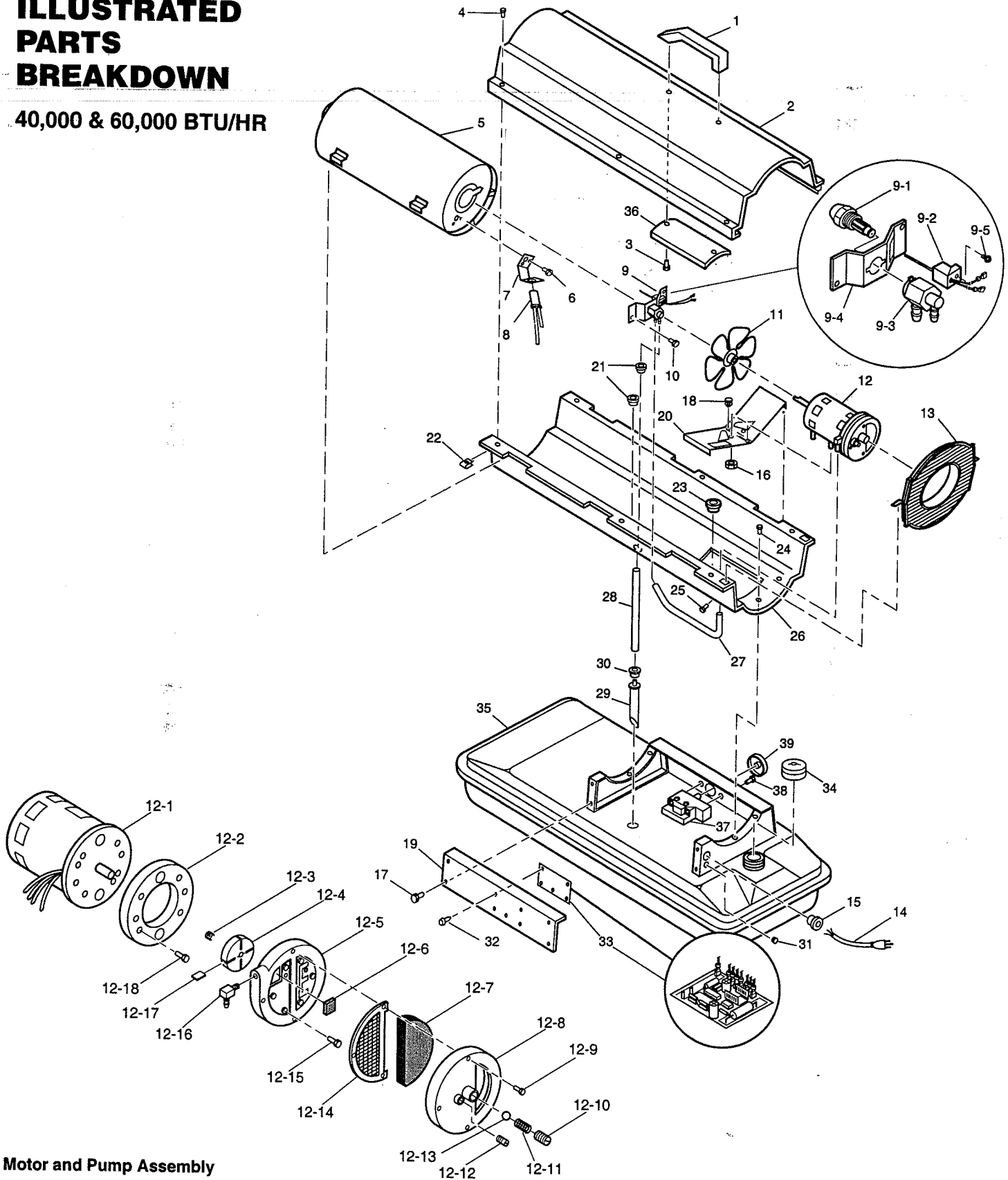
**Operation and Maintenance
Instructions with Parts List**



PORTABLE FORCED AIR HEATERS

ILLUSTRATED PARTS BREAKDOWN

40,000 & 60,000 BTU/HR



Motor and Pump Assembly

OWNER'S MANUAL

PARTS LIST This list contains replaceable parts used in your heater. When ordering parts, be sure to provide the correct model and serial numbers (from the model plate), then the part number and description of the desired part.

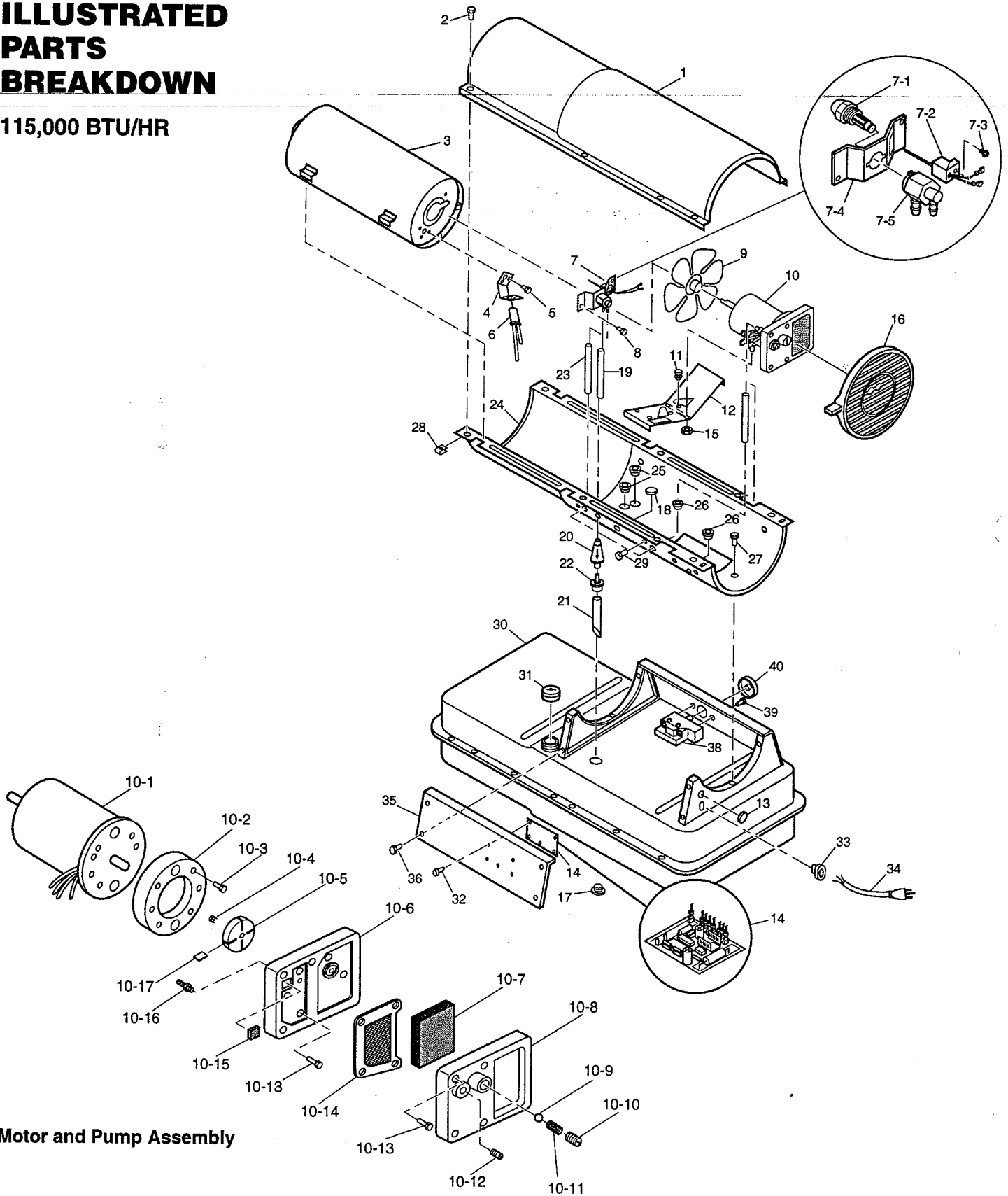
KEY NO.	PART NUMBER	DESCRIPTION	QTY.	KEY NO.	PART NUMBER	DESCRIPTION	QTY.
1	M51104-01	Handle	1	13	M51105-01	Fan Guard	1
2	098511-156	Upper Shell	1	14	098219-27	Power Cord	1
3	M11084-29	Screw, #10-16 x 3/4"	2	15	M11143-1	Strain Relief Bushing	1
4	100647-01	Screw, #10-16 x 1/2"	6	16	NTC-4C	Hex Lock Nut, 1/4-20	2
5	098512-58	Combustion Chamber (40 Model)	1	17	M11084-26	Screw, #10-16 x 3/8"	4
	098512-50	Combustion Chamber (60 Model)	1	18	M50631	Rubber Bumper	2
6	M10908-2	Screw, #6-32 x 3/8"	2	19	097461-03AA	Side Cover	1
7	103154-03	Photocell Bracket	1	20	101205-01	Motor Bracket	1
8	M16656-23	Photocell Assembly	1	21	M30865-02	Bushing	2
9	Δ	Burner Head Assembly	1	22	M11271-8	Clip Nut	6
9-1	HA3006	Nozzle Assembly (40 Model)	1	23	M50104-02	Bushing	1
	100735-17	Nozzle Assembly (60 Model)	1	24	M11084-26	Screw, #10-16 x 3/8"	6
9-2	102548-01	Ignitor Kit	1	25	M10908-14	Screw, #8-32 x 3/8"	1
9-3	104056-01	Nozzle Adapter	1	26	098511-155	Lower Shell	1
9-4	102336-01	Nozzle Adapter Bracket	1	27	M50814-06	Rubber Airline	1
9-5	104023-01	Screw/Washer Assembly	1	28	079973-01	Fuel Line	1
10	M11084-26	Screw, #10-16 x 3/8"	2	29	M50876-04	Fuel Filter (with bushing) (40 Model)	1
11	103684-01	Fan	1		M50876-05	Fuel Filter (with bushing) (60 Model)	1
12	Δ	Motor and Pump Assembly	1	30	M10990-3	Rubber Bushing	1
12-1	102001-01	Motor	1	31	101695-01	Button Plug	1
12-2	079975-02	Pump Body (40 Model)	1	32	102349-01	PCB Support	5
	079975-03	Pump Body (60 Model)	1	33	104068-03	Ignition Control Assembly	1
12-3	M22009	Insert	1	34	097702-01	Fuel Cap (Includes Gasket)	1
12-4	M22456-1	Rotor (40 Model)	1	35	098513-99	Fuel Tank (40 Model)	1
	M22456-2	Rotor (60 Model)	1		098513-77	Fuel Tank (60 Model)	1
12-5	M29608	Pump End Cover	1	36	M51108-01	Shell Heat-Shield	1
12-6	M29632	Lint Filter	1	37	097657-03	Thermostat	1
12-7	M29633	Intake Filter	1	38	M10908-1	Screw, #6-32 x 1/4"	2
12-8	M29609	Filter End Cover	1	39	104905-01	Thermostat Knob	1
12-9	M12461-31	Screw, #10-32 x 1"	3	PARTS AVAILABLE - NOT SHOWN			
12-10	M27694	Adjusting Screw	1		100621-06	Thermostat Decal	1
12-11	M10993-1	Pressure Relief Spring	1		103814-01	Wire Tie (Groups wires connected to ignition control assembly)	1
12-12	M22997	Plug	1		099650-01	Wire Clips (secures wires of thermostat)	1
12-13	M8940	Steel Ball, 1/4" Diameter	1				
12-14	M29612-01	Output Filter	1				
12-15	M12461-31	Screw, #10-32 x 1" (40 Model)	6				
	M12461-32	Screw, #10-32 x 1 1/8" (60 Model)	6				
12-16	103676-01	Nylon Elbow, 90°	1				
12-17	M8643	Blade (40 Model)	4				
	M8643-2	Blade (60 Model)	4				
12-18	FHPF3-5C	Screw, #10-32 x 5/8" (40 Model)	2				
	FHPF3-6C	Screw, #10-32 x 3/4" (60 Model)	2				

Δ Not available as an assembly

PORTABLE FORCED AIR HEATERS

ILLUSTRATED PARTS BREAKDOWN

115,000 BTU/HR



Motor and Pump Assembly

OWNER'S MANUAL

PARTS LIST

This list contains replaceable parts used in your heater. When ordering parts, be sure to provide the correct model and serial numbers (from the model plate), then the part number and description of the desired part.

KEY NO.	PART NUMBER	DESCRIPTION	QTY.	KEY NO.	PART NUMBER	DESCRIPTION	QTY.
1	098511-158	Upper Shell	1	14	104068-02	Ignition Control Assembly	1
2	100647-01	Screw, #10-16 x 1/2"	8	15	NTC-4C	Hex Lock Nut, 1/4-20	2
3	098512-54	Combustion Chamber	1	16	M51114-01	Fan Guard	1
4	103971-01	Photocell Bracket	1	17	M27417	Drain Plug (Includes "o" Ring)	1
5	M10908-2	Screw, #6-32 x 3/8"	2	18	099213-01	Button Plug	1
6	M16656-24	Photocell Assembly	1	19	M51345-06	Fuel Line	1
7	***	Burner Head Assembly	1	20	099743-01	Fuel Filter	1
7-1	100735-19	Nozzle Assembly	1	21	M51151-01	Fuel Line Tube	1
7-2	102548-03	Ignitor Kit	1	22	M10990-3	Rubber Bushing	1
7-3	104023-01	Assembly, Screw/Washer	1	23	M50814-03	Airline	1
7-4	102336-01	Nozzle Adapter Bracket	1	24	098511-157	Lower Shell	1
7-5	104054-01	Nozzle Adapter	1	25	M50104-03	Bushing	2
8	M11084-27	Screw, #10-16 x 1/2"	2	26	M50104-01	Bushing	2
9	097293-01	Fan	1	27	M11084-27	Screw, #10-16 x 1/2"	6
10	***	Motor and Pump Assembly	1	28	M11271-8	Clip Nut	8
10-1	102001-21	Motor	1	29	M10908-14	Screw, #8-32 x 3/8"	1
10-2	079975-02	Pump Body	1	30	098513-87	Fuel Tank	1
10-3	FHPF3-5C	Screw, #10-32 x 5/8"	2	31	097702-01	Fuel Cap (Includes Gasket)	1
10-4	M22009	Rotor Insert	1	32	102349-01	P.C. Board Support	5
10-5	M22456-1	Pump Rotor	1	33	M11143-1	Strain Relief Bushing	1
10-6	M50545	Pump End Cover	1	34	098219-24	Power Cord	1
10-7	M12179	Intake Filter	1	35	M51077-09AA	Side Cover	1
10-8	M16545	Filter End Cover	1	36	M11084-27	Screw, #10-16 x 1/2"	4
10-9	M8940	Steel Ball, 1/4" Diameter	1	37	103814-01	Wire Tie (Not Shown)	1
10-10	M27694	Adjusting Screw	1	38	097657-03	Thermostat	1
10-11	M10993-1	Relief Spring	1	39	M10908-1	Screw, #6-32 x 1/4"	2
10-12	M22997	Plug	1	40	104905-01	Thermostat Knob	1
10-13	M12461-31	Screw, #10-32 x 1"	10	PARTS AVAILABLE - NOT SHOWN			
10-14	M12244-1	Output Filter	1		100621-06	Thermostat Decal	1
10-15	M11637	Lint Filter	1		103814-01	Wire Tie (Groups wires connected to ignition control assembly)	1
10-16	M50820-02	Barb Fitting	1		099650-01	Wire Clips (secures wires of thermostat)	1
10-17	M8643	Blade	4				
11	M50631	Rubber Bumper	2				
12	101206-01	Motor Mounting Bracket	1				
13	101695-01	Button Plug	1				

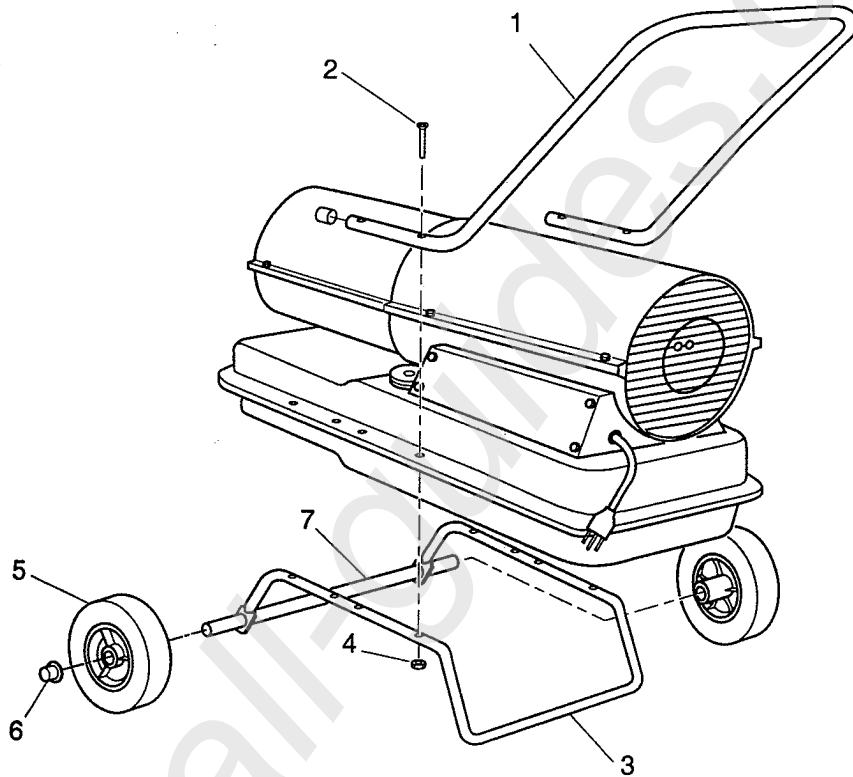
*** Not available as an assembly.

PORTABLE FORCED AIR HEATERS

PARTS LIST

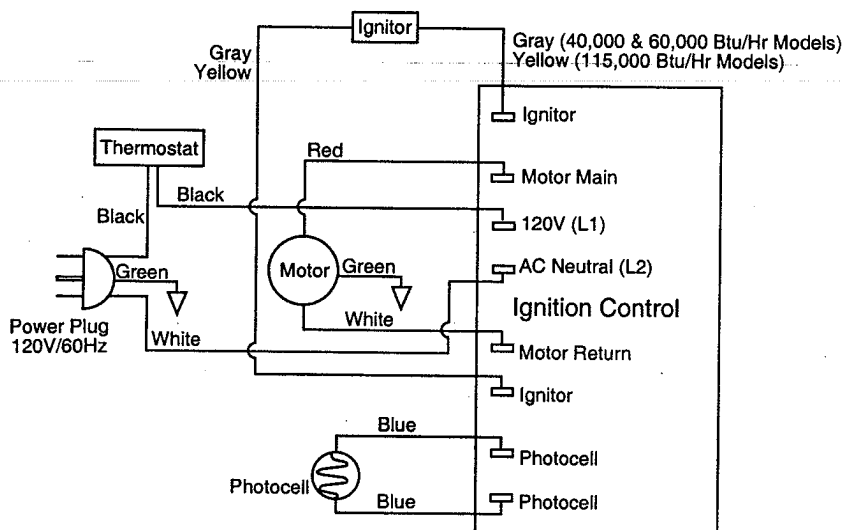
WHEELS AND HANDLE PARTS LIST

KEY NO.	PART NUMBER	PART DESCRIPTION	QTY.
1	HA2203	Handle	1
2	M12345-33	Screw, #10-24 x 1 3/4"	8
3	M12342-3	Wheel Support Frame	1
4	NTC-3C	Hex Nut, #10-24	8
5	097896-01	Wheel	2
6	M28526	Cap Nut	2
7	M51015-01	Axle	1



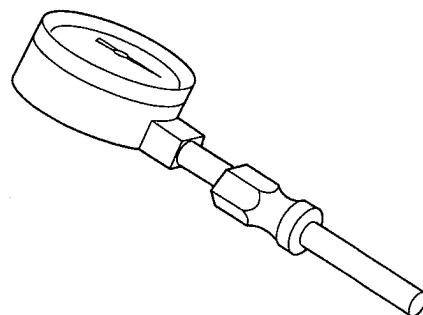
OWNER'S MANUAL

WIRING DIAGRAM



ACCESSORIES

Purchase accessories from your nearest Sears Store.



AIR GAUGE KIT - 583.75802

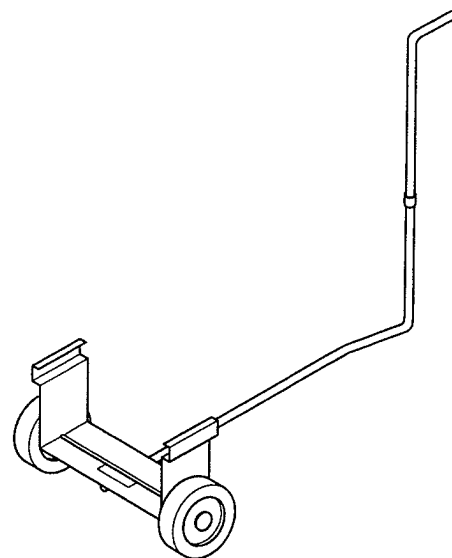
Special tool to check pump pressure.

SPECIFICATIONS

Output Rating (Btu/Hr)	40,000	60,000	115,000
Fuel	Use Only Kerosene or No. 1 Fuel Oil		
Fuel Tank Capacity (U.S. Gal.)	3.0	5.0	9.0
Fuel Consumption (Gal. Per Hr.)	.30	.44	.85
Electric Requirements	120 V/60 Hz		
Amperage (Normal Run)	2.0	2.0	3.6
Hot Air Output (CFM)	170	180	490
Motor RPM	3440	3440	3440
Motor HP	1/15	1/15	1/5
Shipping Weight (Approximate Pounds)	32	33	58
Heater Weight without Fuel (Approximate Pounds)	28	29	49

MAINTENANCE KITS

Btu/Hr	40,000	60,000	115,000
Fuel Tank Filter Screen	HA2210	HA2210	HA2210
Rotor/Air Pump Kit	HA3004	HA3005	HA3004
Filter Kit	HA3014	HA3014	HA3017
Pump Kit	HA3020	HA3020	HA3020



STANDARD WHEELS AND HANDLE KIT - 583.75800

Makes heater even more portable and convenient. Easy to assemble. Fits 40/60,000 Btu/Hr models.

SEARS

OWNER'S MANUAL

HOW TO ORDER REPAIR PARTS

**MODEL
NUMBERS:
583.756700
583.756720
583.756730**

SEARS PORTABLE HEATERS

Now that you have purchased your portable heater, should a need ever exist for repair parts or service, simply contact any Sears service center. Be sure to provide all pertinent facts when you call or visit. The model and serial number of your portable heater will be found on a decal located on side of the Heater.

WHEN ORDERING REPAIR PARTS, ALWAYS GIVE THE FOLLOWING INFORMATION:

1. Part Number
2. Model Number
3. Part Description
4. Name or Merchandise

If the parts you need are not stocked locally, your order will be electronically transmitted to a Sears Repair Parts Distribution Center for "expedited handling."

Sold by Sears, Roebuck and Co., 3333 Beverly Road, Hoffman Estates, IL 60179

Printed in U.S.A.

104980-01
Rev. A
7/98